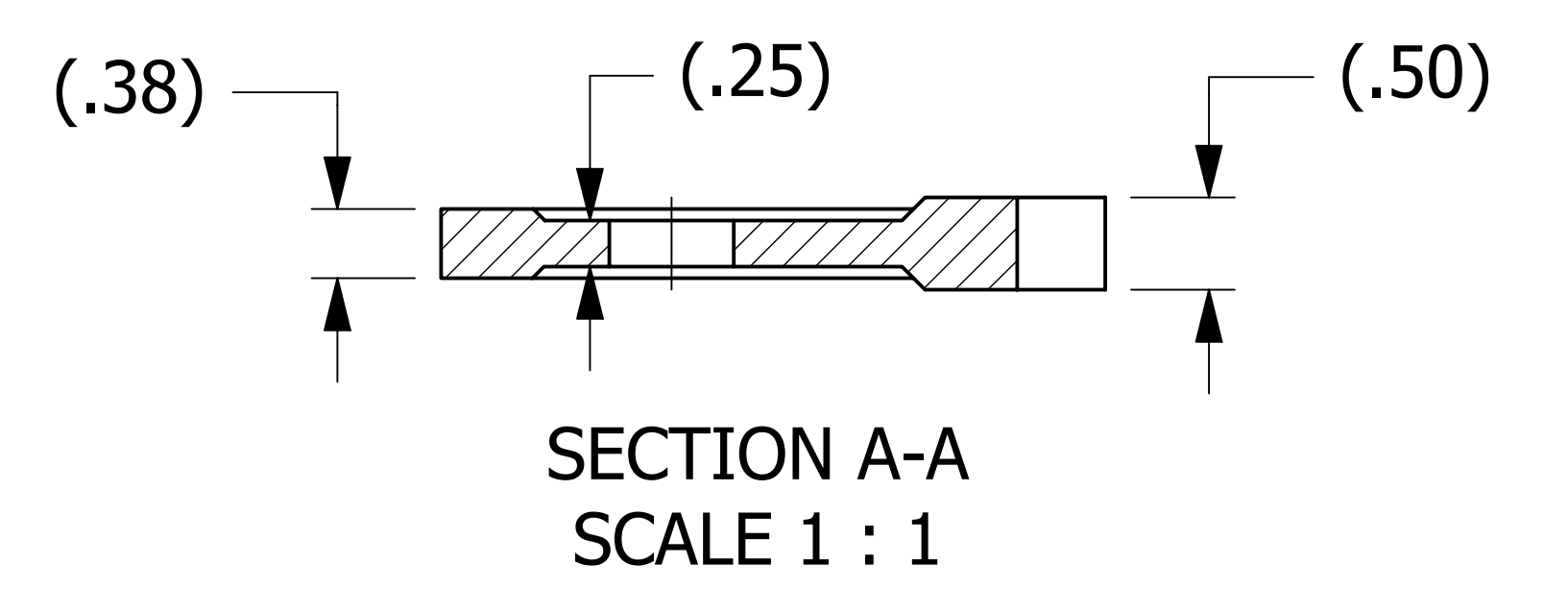
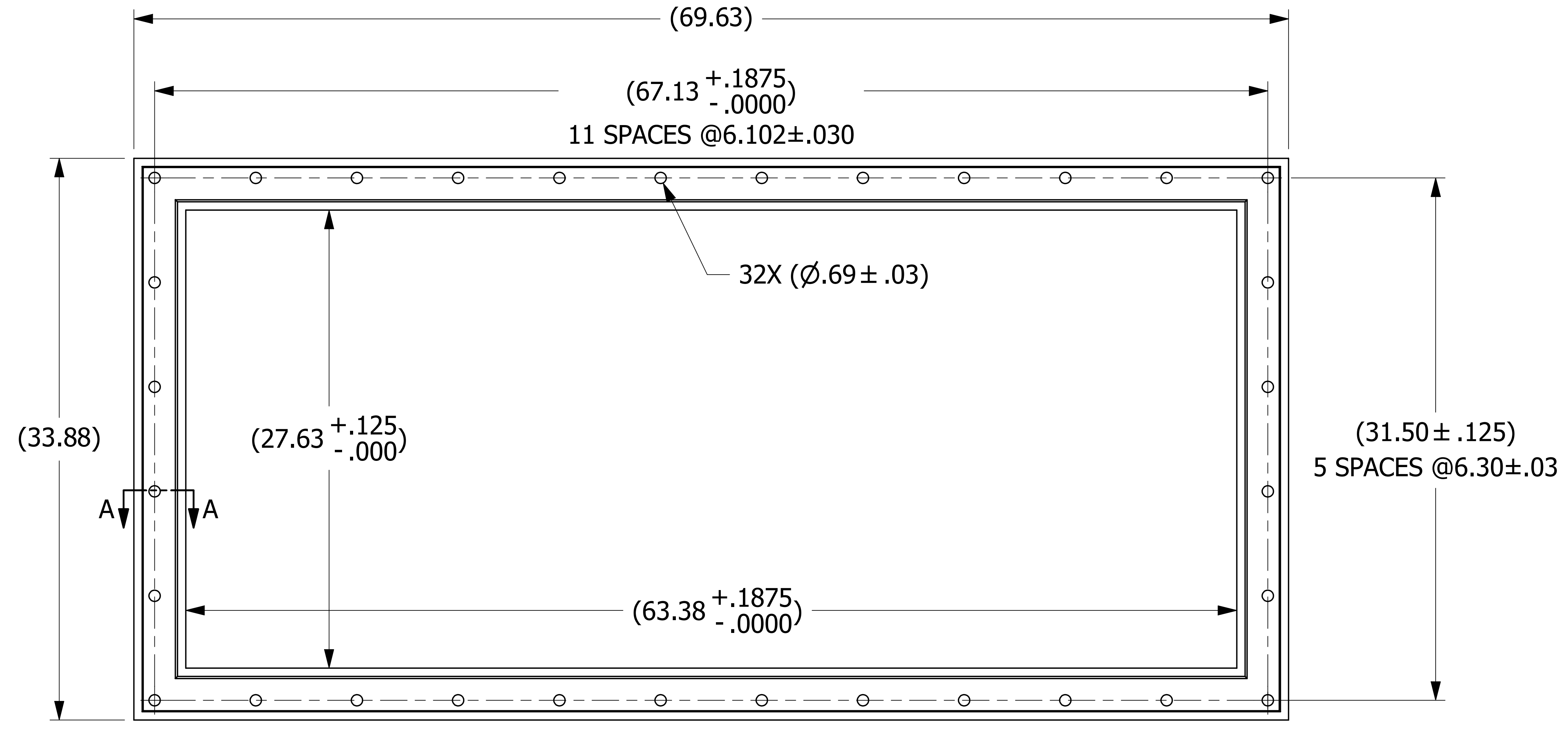


SALES DRAWING SALES DRAWING

SALES DRAWING SALES DRAWING



G	WEB	2-8-17	UPDATED TOLERANCES ON DIMS 63.38 $\pm$ .13 & 27.63 $\pm$ .094 TO 63.38 $\pm$ .1875/ $-$ .0000 & 27.63 $\pm$ .125/ $-$ .000
F	RJP	1-20-17	UPDATED TO CURRENT DRAFTING STANDARDS
E	CHL	4-20-01	ADDED DURO TO MATERIAL
D	FOD	6-6-00	REDRAW SECTION A-A TO MATCH GASKET
C	MRC	5-6-98	CHANGED PRINT TO MATCH REVISION 0
B	ACC	9-19-96	CORRECT PROFILE DIMENSIONS
A	ACC	5-21-96	CHANGED DIAMETER, WAS $\phi$ 17/32
REV	BY	DATE	DESCRIPTION

UNLESS OTHERWISE SPECIFIED DIMENSIONAL TOLERANCES FRACTIONAL: $\pm$ 1/16 X.XX: $\pm$ .03 X.XXX: $\pm$ .015 ANGULAR: $\pm$ 1° DEBURR ALL SHARP EDGES. ALL MACHINED SURFACES TO HAVE A 125 RMS FINISH UNLESS NOTED OTHERWISE. THIRD ANGLE PROJECTION	DRAWN BY:	FRS
	CHECKED BY:	
	PROTOTYPE BY:	FRS
	PROTOTYPE DATE:	9/16/1991
	APPROVED FOR PRODUCTION BY:	FRS
	PRODUCTION DATE:	9/16/1991

**SALCO PRODUCTS, INC.**

PART NAME: **GATE GASKET**

MATERIAL: **FDA WHITE VINYL DURO 65 $\pm$ 5 SHORE A**

PROJECT #: **1 OF 1** SCALE: **1:4**

DRAWING #: **D5142** PART #: **GG1342**

THIS PRINT, PROPERTY OF SALCO PRODUCTS INC. CONTAINS PROPRIETARY INFORMATION AND MUST NOT BE COPIED, REPRODUCED, OR USED DETRIMENTALLY TO OUR INTEREST.